

- Cantitati risberma anrocamente:**
 -risberma anrocamente: 18.75mc/mlx4.20m=79.00 mc
Cantitati risberma anrocamente-ziduri h=2.00m-lungime totala L=30m:
 -beton C25/30 - elevatie: 50mc
 -beton C25/30 - fundatie: 60mc
 -dren piatra sparta: 22.50mc
 -dop argila: 3.00mc
 -geotextil filtrare: 75.00mp
 -barbacane PVC #110: 27.0m

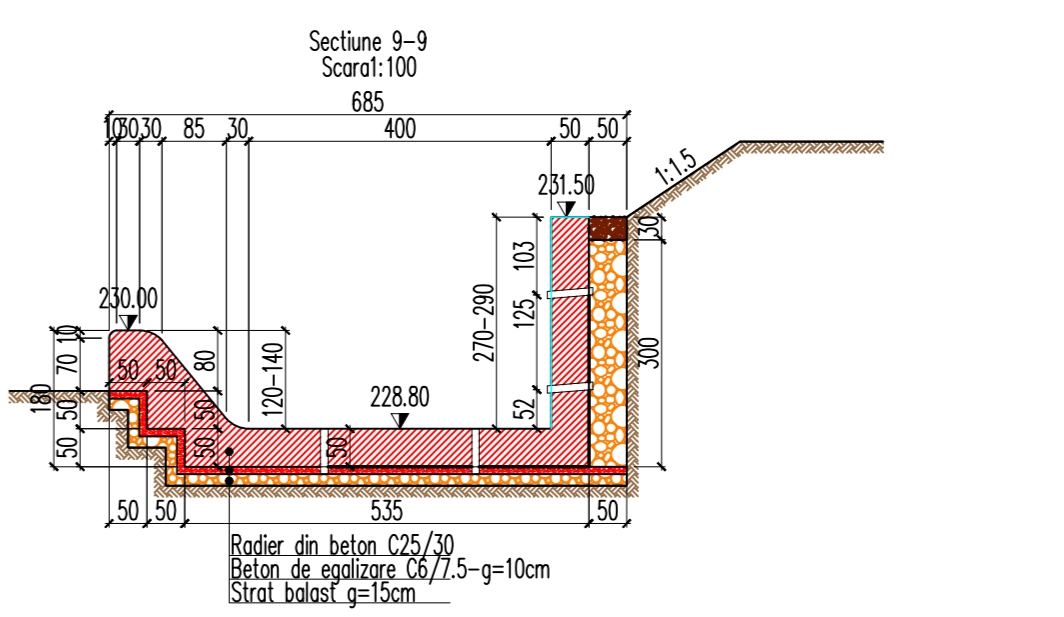
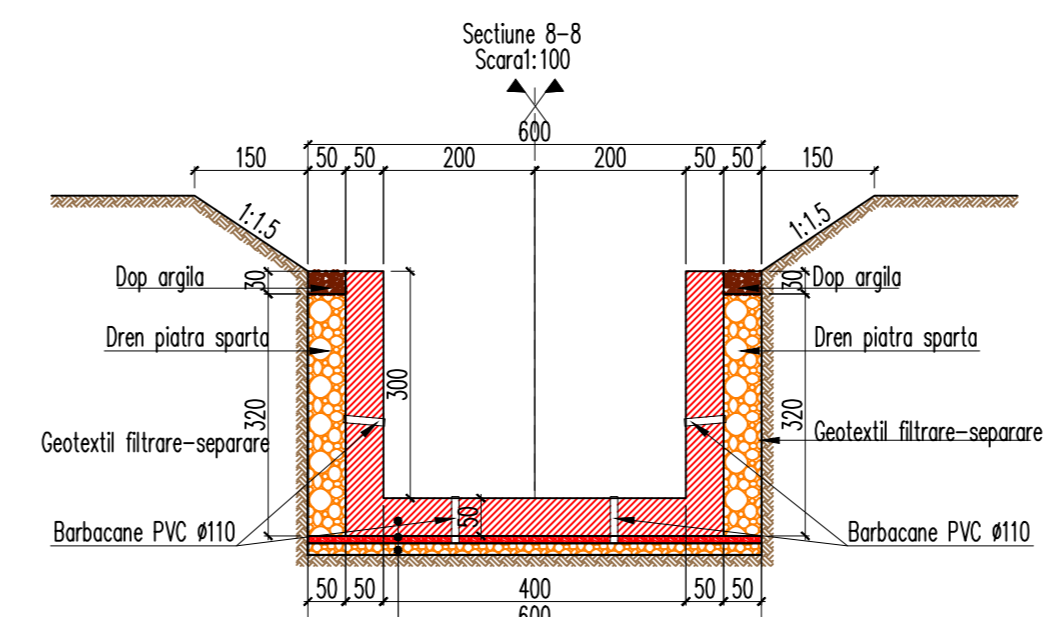
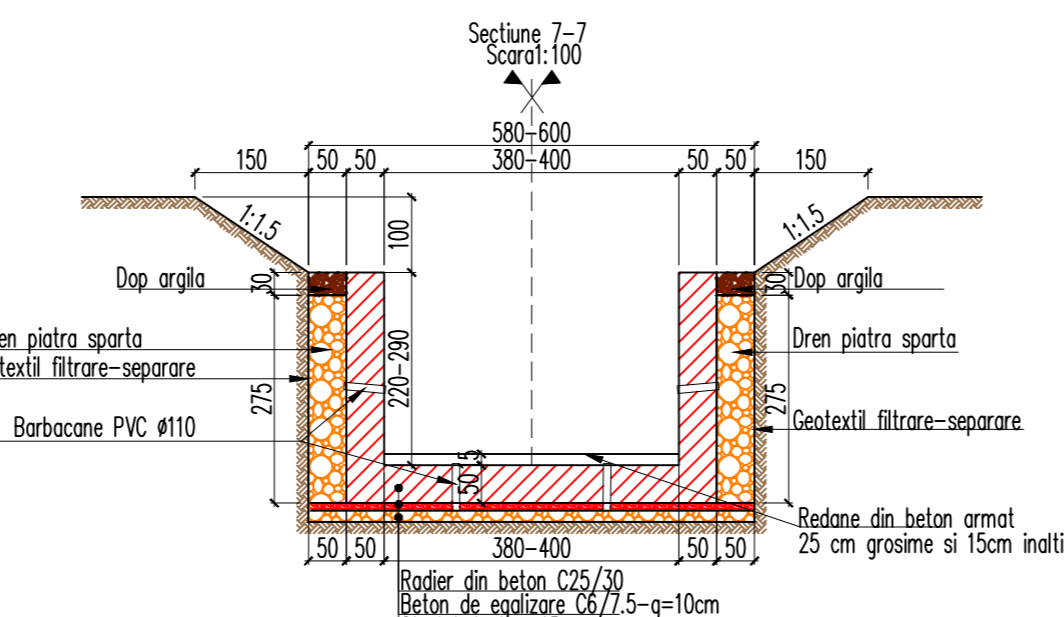
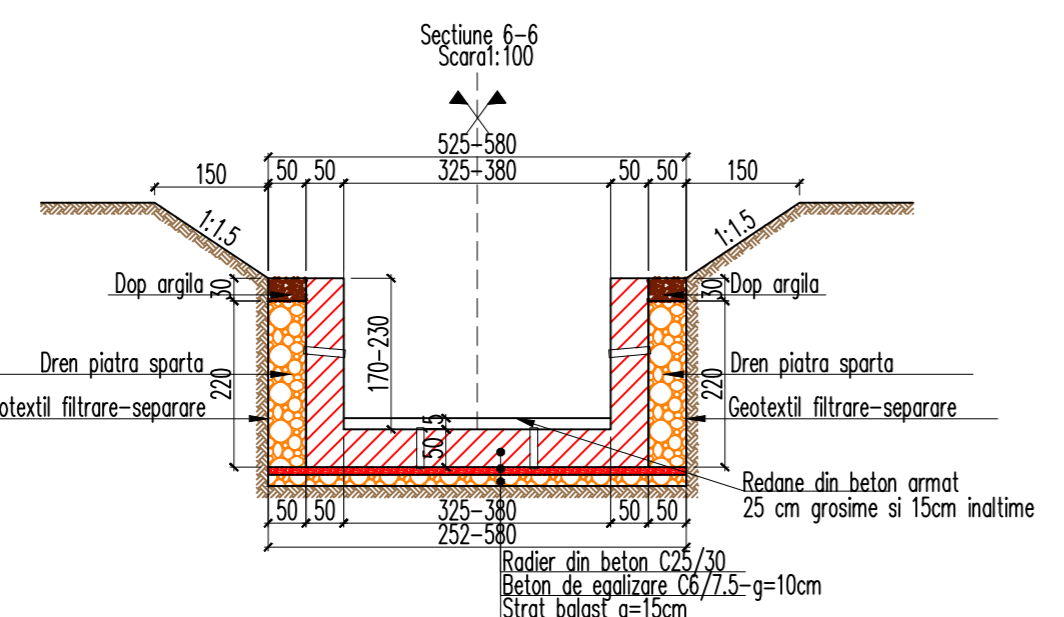
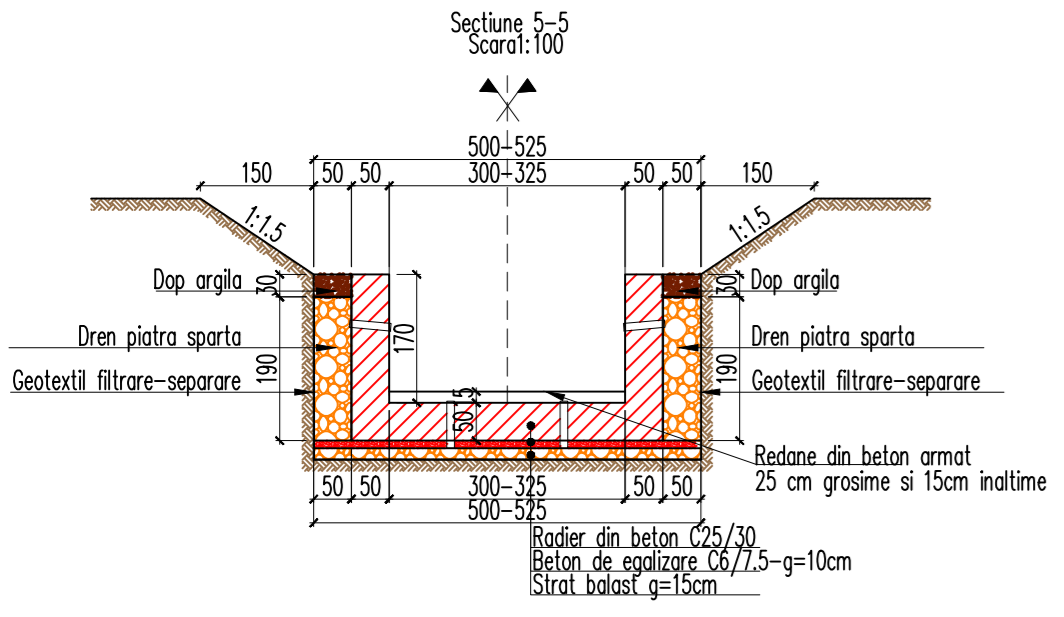
- Cantitati dispator L=15m:**
 -beton C25/30 : 85.50mc
 -beton C6/7.5 : 8.15mc
 -balast g=15cm : 12.35mc
 -dren piatra sparta : 40.50mc
 -geotextil filtrare : 195mp
 -barbacane PVC #110 : 34.50m
 -dop argila: 4.50m

- Cantitati canal rapid L=6.0m:**
 -beton C25/30 -: 27.90mc
 -beton C6/7.5 -: 2.35mc
 -balast g=15cm -: 3.60mc
 -dren piatra sparta -: 54.75mc
 -geotextil filtrare -: 69mp
 -barbacane #110 -: 6.90m
 -dop argila: 1.80mc

- Cantitati canal rapid L=6.0m:**
 -beton C25/30 -: 27.30mc
 -beton C6/7.5 -: 2.35mc
 -balast g=15cm -: 3.60mc
 -dren piatra sparta -: 54.75mc
 -geotextil filtrare -: 69mp
 -barbacane #110 -: 6.90m
 -dop argila: 1.20mc

- Cantitati canal rapid L=78.0m:**
 -beton C25/30 -: 327.60mc
 -beton C6/7.5 -: 30.25mc
 -balast g=15cm -: 46.80mc
 -dren piatra sparta -: 148.20mc
 -geotextil filtrare -: 819mp
 -barbacane #110 -: 89.70m
 -dop argila: 23.40m

- Cantitati risberma anrocamente:**
 -risberma anrocamente: 160mpxm=160mc
Cantitati risberma anrocamente-ziduri h=2.00m-lungime totala L=100m:
 -beton C25/30 - elevatie: 1.66mc/ml x100m 166mc
 -beton C25/30 - fundatie: 2.00mc/ml x100m 200mc
 -dren piatra sparta: 0.75mc/ml x100m 75mc
 -dop argila: 0.10mc/ml x100m 10mc
 -geotextil filtrare: 2.50mp/ml x100m 250mp
 -barbacane PVC #110: 0.90m/ml x100m 90m



- Cantitati canal rapid L=6.0m:**
 -beton C25/30 -: 26.70mc
 -beton C6/7.5 -: 2.55mc
 -balast g=15cm -: 3.85mc
 -dren piatra sparta -: 11.40mc
 -geotextil filtrare -: 63.00mp
 -barbacane #110 -: 6.90m
 -dop argila: 1.80m

- Cantitati canal rapid L=6.0m:**
 -beton C25/30 -: 30.60mc
 -beton C6/7.5 -: 2.55mc
 -balast g=15cm -: 4.10mc
 -dren piatra sparta -: 13.20mc
 -geotextil filtrare -: 69mp
 -barbacane #110 -: 6.90m
 -dop argila: 1.80m

- Cantitati canal rapid L=6.0m:**
 -beton C25/30 -: 35.40mc
 -beton C6/7.5 -: 2.80mc
 -balast g=15cm -: 4.35mc
 -dren piatra sparta -: 13.20mc
 -geotextil filtrare -: 69mp
 -barbacane #110 -: 6.90m
 -dop argila: 1.80m

- Cantitati canal rapid L=6.0m:**
 -beton C25/30 -: 116.10mc
 -beton C6/7.5 -: 8.40mc
 -balast g=15cm -: 12.55mc
 -dren piatra sparta -: 57.60mc
 -geotextil filtrare -: 252mp
 -barbacane #110 -: 41.40m
 -dop argila: 5.40m

- Cantitati canal rapid L=12.0m:**
 -beton C25/30 -: 75.00mc
 -beton C6/7.5 -: 7.45mc
 -balast g=15cm -: 11.55mc
 -dren piatra sparta -: 18.00mc
 -geotextil filtrare -: 144mp
 -barbacane #110 -: 13.80m
 -dop argila: 3.60m

- Cantitati canal rapid L=9.0m:**
 -beton C25/30 -: 53.10mc
 -beton C6/7.5 -: 6.15mc
 -balast g=15cm -: 9.40mc
 -dren piatra sparta -: 13.50mc
 -geotextil filtrare -: 108mp
 -barbacane #110 -: 10.35m
 -dop argila: 3.60m

- Pereti laterali**
 -beton C25/30 -: 11.50mc
 -dren piatra sparta -: 7.7mc
 -geotextil filtrare -: 40.90mp/ml
 -barbacane #110 -: 4m
 -dop argila: 1.15mc

- Cantitati redane:**
 -beton armat C25/30 -: 8.15mc

- Cantitati totale descarcar de ape mari:**
 -beton armat C25/30: 826.65mc
 -beton simplu C25/30: 110mc
 -beton simplu C6/7.5: 73.00mc
 -balast g=15cm: 112.15mc
 -dren piatra sparta: 447.6mc
 -geotextil filtrare: 1972.90mp
 -barbacane #110: 237.25m
 -dop argila: 53.05mc
 -risberma anrocamente: 79.00 mc
 -otel beton PC52 #10: 7057.00kg
 -otel beton PC52 #14: 42116.00kg

Acest document este proprietatea firmei s.c. AQUA PROCIUV PROIECT s.r.l. si nu poate fi folosit, transmis sau reprodus, total sau partial, fara autorizarea expresa si scrisa; utilizarea sa trebuie sa fie conforma celei pentru care a fost elaborat. Documentul este valabil numai cu semnaturile si stampila in original.

s.c. AQUA PROCIUV PROIECT s.r.l. PROIECTARE SI STUDII str. Septimiu Albini nr.118, Cluj-Napoca		Scara 1:100	Beneficiar: Adminstratia Bazinla de Apa Banat Investitie: *Aparare impotriva inundatiilor a municipiului Caransebes, zona Aeroport, zona Caransebesul Nou, jud. Caras-Severin	Proiect nr. 942/2020 Faza P.T.+D.E.
Proiectat	ing. Marius STERIU	Data	2021	Planşa nr. 4.2.18
Desenat	ing. Marius STERIU			
Verificat	ing. Dragos GROS			
Sef proiect	ing. Dan SACUI			